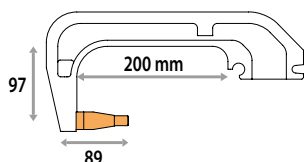
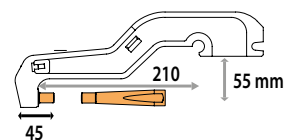


GYS offers a large range of aluminium C-arm, high rigidity C-arms compatible with the following machines: GYSPOT BP.LC-s7, BP.LCX-s7 and GYSPOT PTI-s7 Evolution. These arms are liquid cooled and include electrodes and welding caps. These arms are water cooled up to the electrodes and welding caps. A large range of arms are available in order to get access to anywhere on the vehicle. Several references are available in a painted version ensuring electric insulation of the arm.



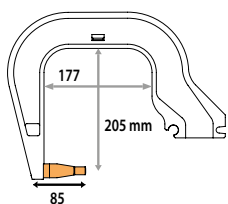
**C1 - 8bar/550 daN**

ref. 019140  
ref. 021402 insulated



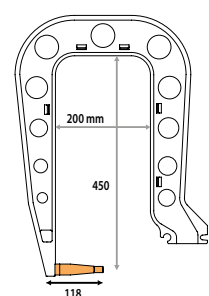
**C2 - 8bar/550 daN**

ref. 019133



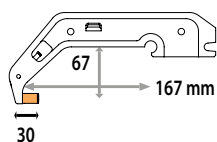
**C3 - 8bar/550 daN**

ref. 019157  
ref. 021419 insulated



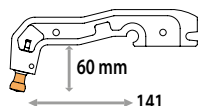
**C4 - 8bar/550 daN**

ref. 019164  
ref. 021426 insulated



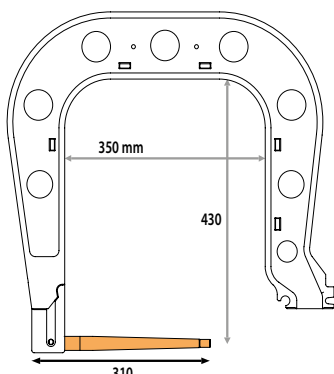
**C5 - 8bar/550 daN**

ref. 019294



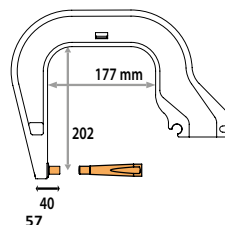
**C6 - 8bar/300 daN**

ref. 019775



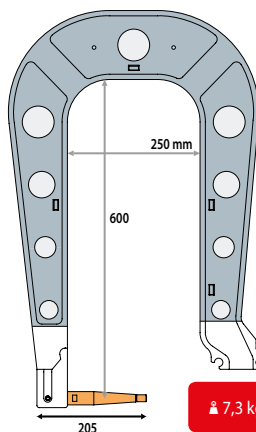
**C7 - 8bar/550 daN**

ref. 020009  
ref. 021433 insulated



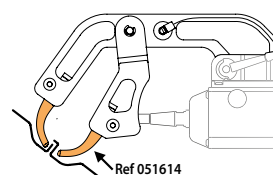
**C8 - 8bar/550 daN**

ref. 020016  
ref. 021440 insulated



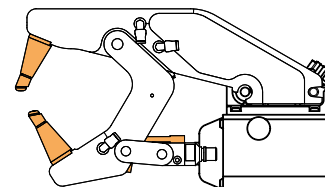
**C9 - 8bar/550 daN**

ref. 020078 insulated



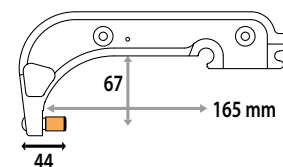
**C10 - 4bar/150 daN**

ref. 051638



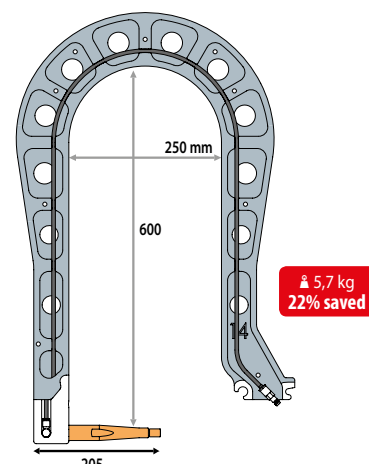
**C11 - 8bar/550 daN**

ref. 053649



**C12 - 8bar/550 daN**

ref. 022997 insulated



**C14 - 8bar/400 daN**

ref. 023543

## Accessories and consumables



**Contact grease**  
ref. 050440



**Caps spanner**  
ref. 050846



**Box of 40  
Caps Type A**  
ref. 048935



**Caps Type A  
ø13mm**  
ref. 049987



**Caps for C11 arm  
ø13mm**  
ref. 049994



**Electrode  
for C6 arm**  
ref. 050617