

Model:

**040311**

Product Type:

**PORTABLE WORK STAND**

### Foreseen Use of the Tool

Do not use the tool outside of the design intent. Never modify the tool for any other purpose, or for its use.



## Safety Precaution

**Caution: To help prevent personal injury**

- Normal use of this product is likely to expose the user to dust and/or microscopic particles containing chemicals known to the State of California to cause cancer, birth defects or other reproductive harm. Always wear appropriate safety equipment and clothing when using this product. Study, understand and follow all instructions provided with this product.
- Always wear ANSI approved goggles when using this product.
- Always select the correct accessories of the correct size and design for the job that you are attempting to perform.
- Always work in a clean, safe, well-lit, organized and adequately equipped area.
- Do not begin repairs without assurance that vehicle is in secure position, and will not move during repair.

### Unpacking

When unpacking, check the parts diagram and part number listing on page 2 to make sure all parts are included. If any parts are missing or damaged, please call your distributor.

### Important

Read these instructions carefully before installing, operating, servicing or repairing this tool. Keep these instructions in a safe accessible place.



**WARNING**



#### For Your Safety & to Prevent Injury

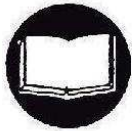
1. Always Wear protective equipment and eyewear
2. Cutting blades are extremely sharp, use extreme caution when adding, removing or dispensing paper and tape.
3. Do not overload to avoid tipping of the unit.

### Product Information

- Lightweight work bench with heavy duty 500lbs. capacity
- Steel tubing construction with 1/2" foam padded top
- Great for working on doors, fenders, hoods and bumpers
- Adjustable height of 33" to 40" tall

### PORTABLE WORK STAND





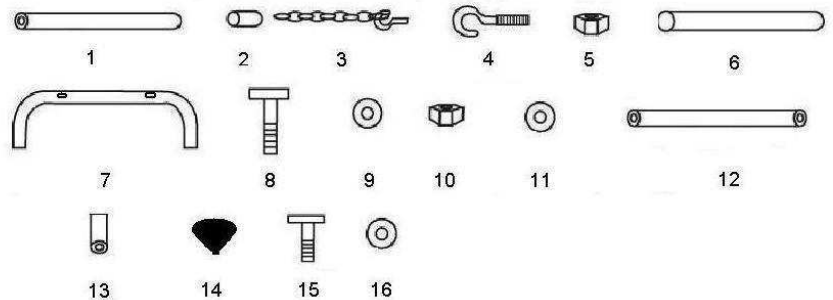
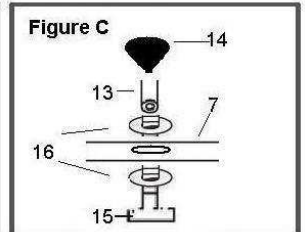
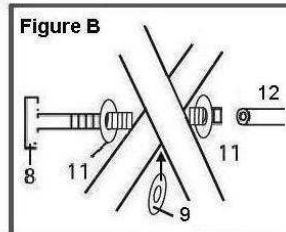
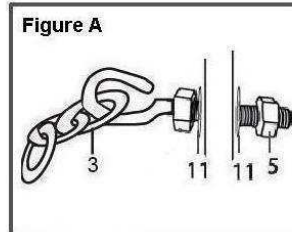
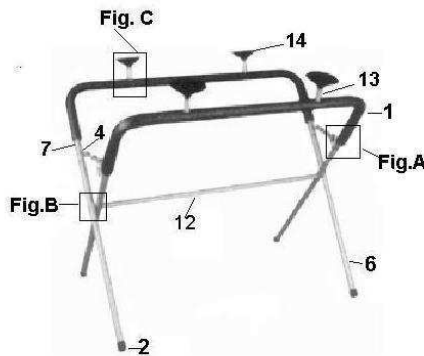
Model:

**040311**

Product Type:

**PORTABLE WORK STAND**

## PARTS BREAKDOWN



PART NO.	DESCRIPTION	QTY
01	Foam Pad	2
02	Rubber Cover	4
03	Chain with Eye Bolt	2
04	Eye Hook	2
05	Hex Nut M8	4
06	Leg Tube	4
07	Frame Top	2
08	Bolt M8 x 65mm	2

PART NO.	DESCRIPTION	QTY
09	Washer ø8 x 30 mm	2
10	M8 Lock Nut	2
11	Washer ø8 x 16 mm	12
12	Middle Tube	1
13	Connecting Tube	4
14	Rubber Cup	4
15	Bolt M10 x 45 mm	4
16	Washer ø10 x 30	8

## Assembly Instruction

Metal edges can be sharp, please use extreme caution during assembly.

1. Attach Rubber End Caps #2 to four legs # 6.
2. Slide Foam Pad (#1) onto Frame Tops (#7) then slide Leg Tubes (#6) into Frame Tops (#7), match up holes
3. Add a flat washer (#11) push eye bolt thru holes of leg tube (#6) and Frame Top Tube (#7) assembly (See Figure A). Assemble so that the Eye Bolt is on the inside of the work bench, add a second Flat Washer and Hex Nut and tighten snugly. Repeat the same steps for the second set of Legs. When complete and the Work Bench is assembled, the Eye Bolts (#3) will be on opposite sides facing inwards.
4. Slide Leg Tubes (#6) into Frame Top Tubes (#7) twist legs until the holes are aligned. Assemble Eye Hooks (#4) duplicating the same assembly process as in (#3) , all Eye Bolts and Eye Hooks are facing inward when complete, when the Work Bench is assembled, the chains with Eye Bolts and Eye Hooks will be on opposite sides facing inwards.
5. Set up both parts of the stand so that the Eye Bolts with Chains (#3) and Eye Hooks (#4) are on opposite sides facing inside of work bench. Attach Eye Bolts Chains to Eye Hooks on the opposite sides of the Work Bench. Attach both halves (#6) together with a Bolt (#8) a flat washer (#11) and a special Washer (#9) inserted between both legs (See assembly figure B) and finally put a third flat washer before adding Middle Tube (#12) onto the bolt, repeat the same assembly for the other side.
6. Put Rubber washer (#14) into Connecting Tube (#13). Attach Frame Top Tube (#7) and Connecting Tube (13) with a Bolt (#15) and two flat washer (#16) (See Figure C).
7. Last, tighten all fasteners when completely assembled. Do not over tighten as the tubing can crush.